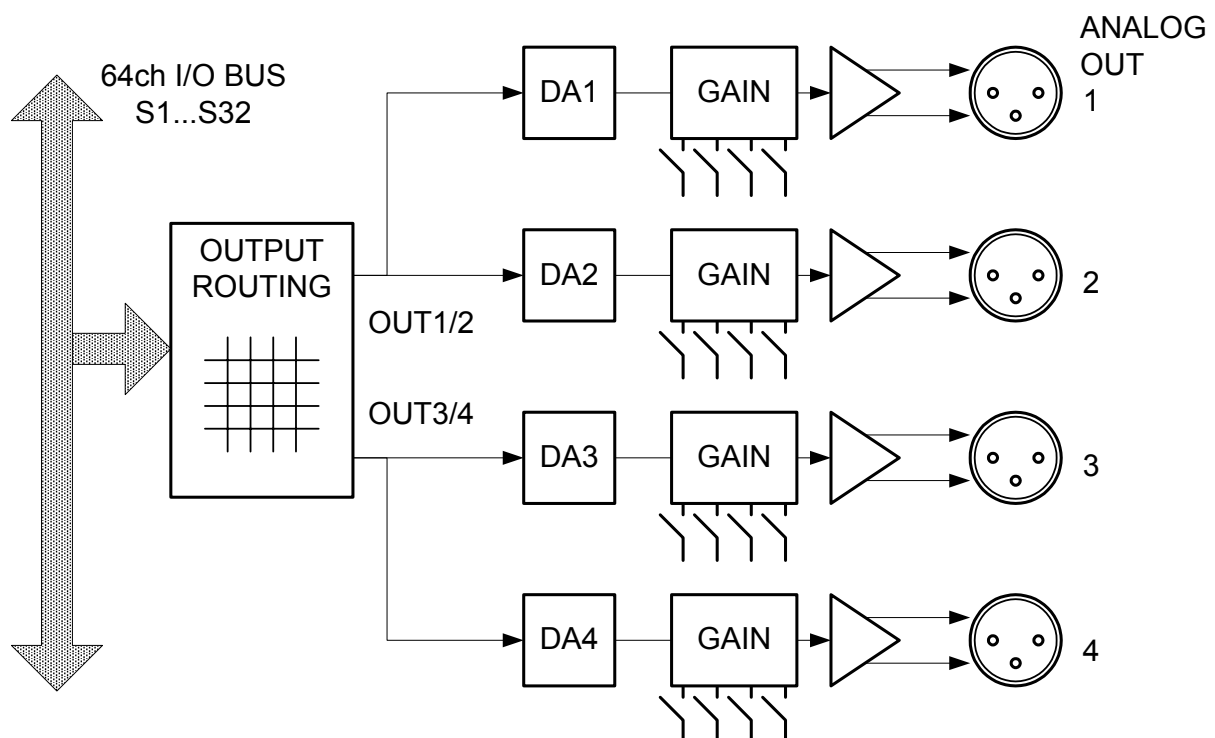
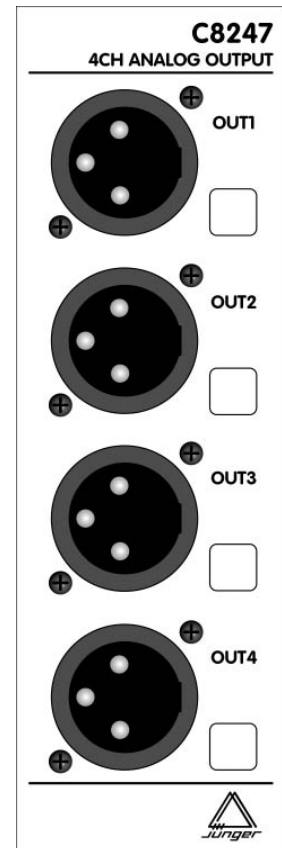


features

- 4ch D/A-converter
- 24bit sigma-delta D/A-converter
- input sample rate up to 48kHz
- sophisticated circuit design
- balanced analog outputs
- electrical isolation between channels (floating)



4ch analog output, 24bit DAC

C8247

technical specifications

resolution	24bit
sample rate	32...48kHz
dynamic range	103dB (RMS) 105dB (A)
THD+N	<0.002% @ max. output level
frequency response (+/-0.5dB)	20Hz...20kHz (FS=48kHz)
crosstalk	>110dB (1kHz) >105dB (20kHz)
max. output level	+15...+28dBu @ 0dBFS
output impedance	60 Ohm, floating balanced
connector	XLR, 1-screen, 2-live, 3-return
backplane connector:	ref. to DIN41612, 64pin, a+b, male
power supply	+5V DC
consumption	appr. 400 mA
dimensions	3RU, 8HP, 160mm depth

installation

